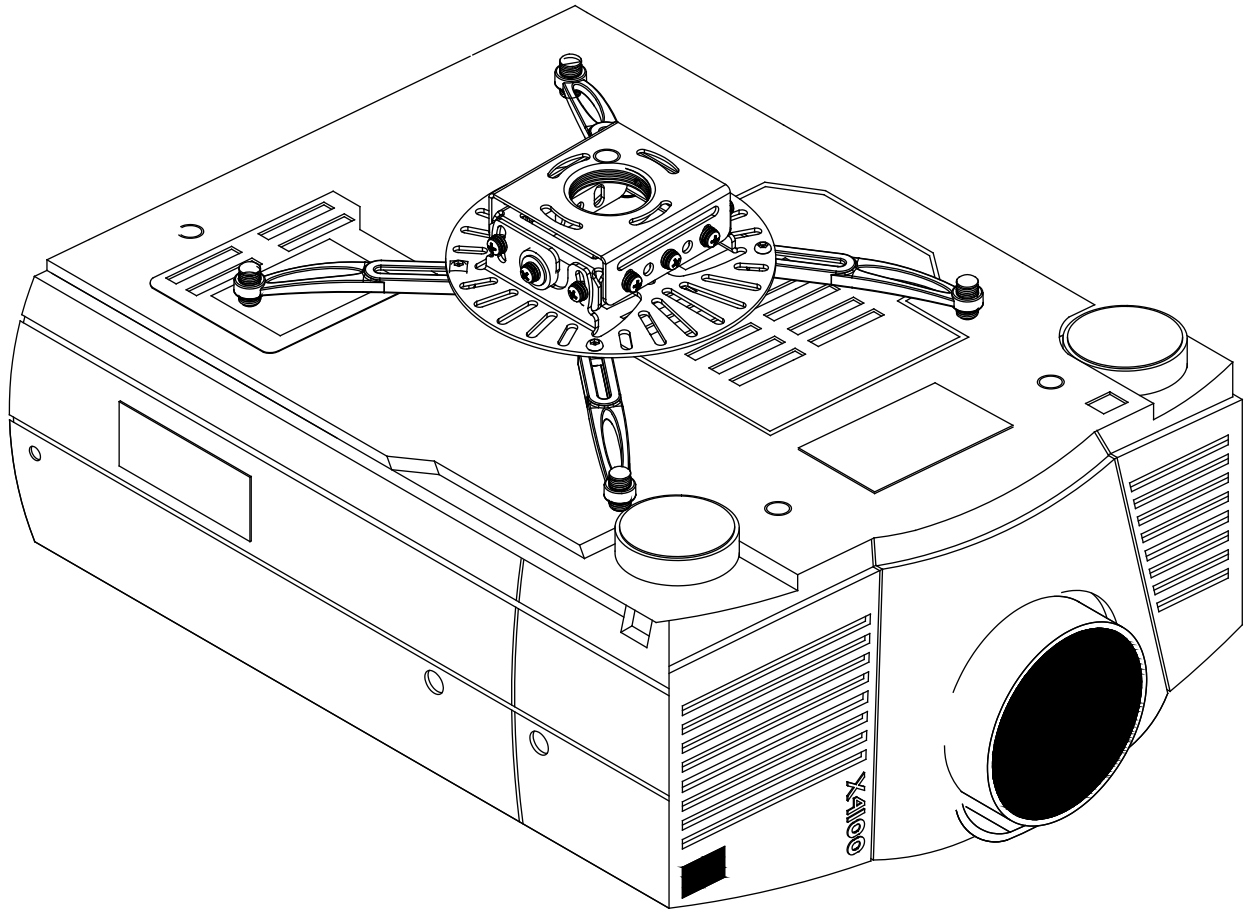


INSTALLATION MANUAL



PDS-PLUS **Versatile Projector Mount** Model: PDS-PLUS

NORTH AMERICA

3130 East Miraloma Avenue
Anaheim, CA 92806 USA
USA and Canada –
Phone: 800-368-9700
Fax: 800-832-4888

Other Locations – Phone: (001)-714-632-7100; Fax: (001)-714-632-1044

©Premier Mounts 2008

EUROPE

Swallow House,
Shilton Industrial Estate,
Shilton, Coventry, England CV79JY
Phone: +44 (0) 2476 614700
Fax: +44 (0) 2476 614710

AUSTRALIA, NEW ZEALAND, OCEANIA (DISTRIBUTOR)

P.O. Box 295
Mordialloc Victoria 3195
Australia
Phone: 039586 6330
www.premiermounts.com.au



Congratulations on the purchase of your new Premier Mounts PDS-PLUS Versatile Projector Mount. The PDS-PLUS works together with our exciting new PDS Base Box. The PDS-PLUS has multiple mounting configurations to fit a variety of projectors. The PDS-PLUS is truly the most VERSATILE projector mount on the market today.



Table of Contents

Warning Statements - 2 -

Parts List - 3 -

Installation Tools - 5 -

Optional Mounting Configurations - 6 -

Ceiling Installation – Solid Surface - 8 -

Concrete Mounting - 9 -

Attaching the PDS-PLUS to the Projector - 10 -

Selecting the Proper Mounting Hardware - 10 -

Single Mounting Point Installation - 12 -

Attaching the PDS-PLUS Base - 12 -

Base Box Adjustment - 15 -

Technical Specifications - 16 -

Warranty - 17 -

Warning Statements



PREMIER MOUNTS DOES NOT WARRANT AGAINST DAMAGE CAUSED BY THE USE OF ANY PREMIER MOUNTS PRODUCT FOR PURPOSES OTHER THAN THOSE FOR WHICH IT WAS DESIGNED OR DAMAGE CAUSED BY UNAUTHORIZED ATTACHMENTS OR MODIFICATIONS, AND IS NOT RESPONSIBLE FOR ANY DAMAGES, CLAIMS, DEMANDS, SUITS, ACTIONS OR CAUSES OF ACTION OF WHATEVER KIND RESULTING FROM, ARISING OUT OF OR IN ANY MANNER RELATING TO ANY SUCH USE, ATTACHMENTS OR MODIFICATIONS.



THE CEILING STRUCTURE MUST BE CAPABLE OF SUPPORTING 230LBS. IF NOT, THE CEILING STRUCTURE MUST BE REINFORCED. PROPER INSTALLATION PROCEDURE BY A QUALIFIED SERVICE TECHNICIAN, AS OUTLINED IN THE INSTALLATION INSTRUCTIONS, MUST BE ADHERED TO. FAILURE TO DO SO COULD RESULT IN SERIOUS PERSONAL INJURY, OR EVEN DEATH.



SAFETY MEASURES MUST BE PRACTICED AT ALL TIMES DURING THE INSTALLATION OF THIS PRODUCT. USE PROPER SAFETY GEAR AND TOOLS FOR THE INSTALLATION PROCEDURE TO PREVENT PERSONAL INJURY.



THE MAXIMUM WEIGHT PROJECTOR THAT CAN BE USED WITH THIS MOUNT IS 75LBS. EXCEEDING THIS WEIGHT LIMIT COULD CAUSE DAMAGE TO THE MOUNT, TO THE PROJECTOR OR TO YOURSELF.



PRIOR TO THE INSTALLATION OF THIS PRODUCT, THE INSTALLATION INSTRUCTIONS SHOULD BE READ AND COMPLETELY UNDERSTOOD. THE INSTALLATION INSTRUCTIONS MUST BE READ TO PREVENT PERSONAL INJURY AND PROPERTY DAMAGE. KEEP THESE INSTALLATION INSTRUCTIONS IN AN EASILY ACCESSIBLE LOCATION FOR FUTURE REFERENCE.



Indicates that the power plug is to be disconnected from the power outlet.



Safety precautions must be taken at all times.



Contact Premier Mounts with any questions –
 Customer Service – (800) 368-9700
 Technical Support – techsupport@mounts.com



Warning and Caution statements.



Do not install on a structure that is prone to vibration, movement or chance of impact. Failure to do so could result in damage to the projector and/or damage to the mounting surface.




Do not install near heater, fireplace, direct sunlight, air conditioning or any other source of direct heat energy. Failure to do so may result in damage to the projector and could increase the risk of fire.




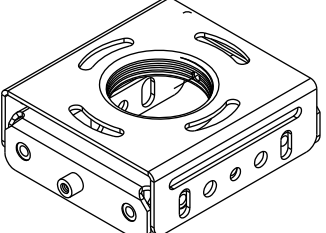
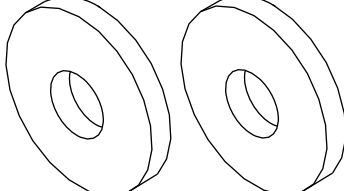

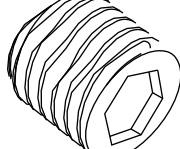
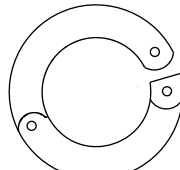
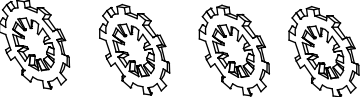

A qualified person should perform the installation procedure. Injury and/or damage can result from dropping or mishandling the projector

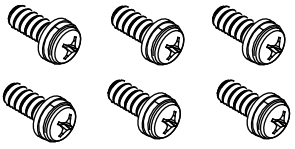
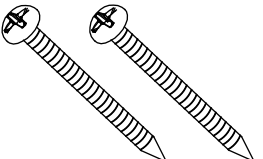


Parts List

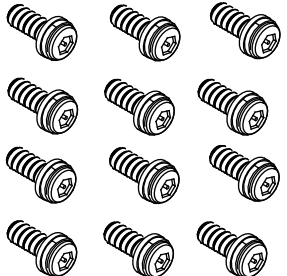
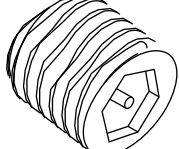

 *Note* Please familiarize yourself with all components contained herein.

 *Note* Please review all WARNING and CAUTION statements (see Page 2) before beginning the installation of the PDS-PLUS Mount.

PDS Base Box (Qty 1)	
Nylon Spacer (Qty 2)	
Flat Washer (Qty 2)	
M6 x 8mm Socket Head Set Screw (Qty 1)	
Escutcheon Ring (Qty 1)	
External Tooth Lock Washers (Qty 4)	
M5 Security Allen Wrench (Qty 1)	

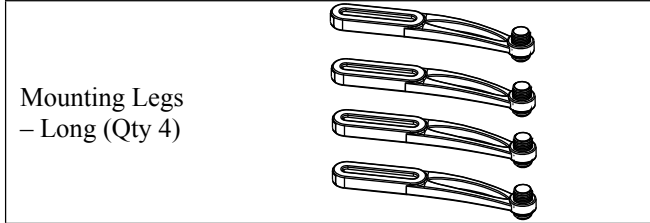
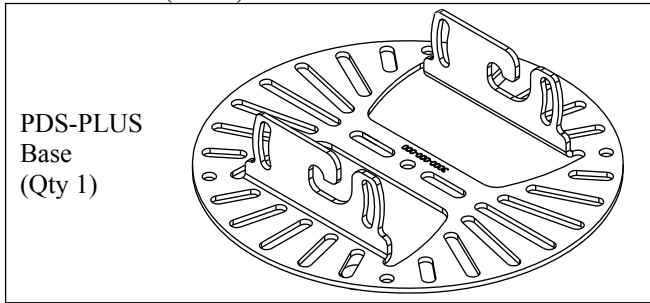
M6 x 12mm Phillips Pan Head w/ Integrated Split Washer (Qty 12) – 6 come preinstalled on the PDS Base Box	
#14 x 2” Wood Screws (Qty 2)	

Lock-It™ Security System

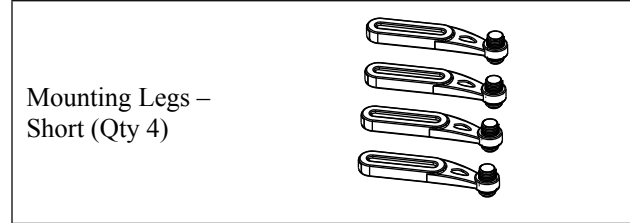
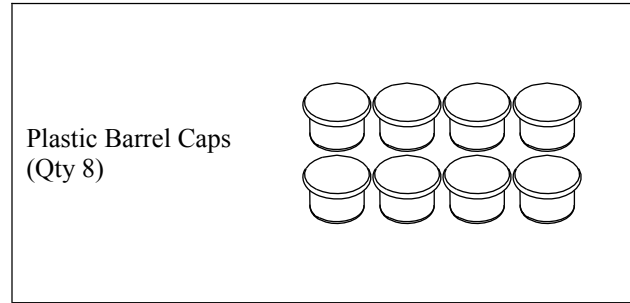
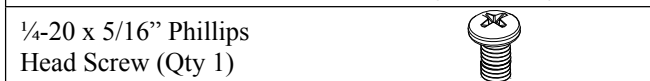
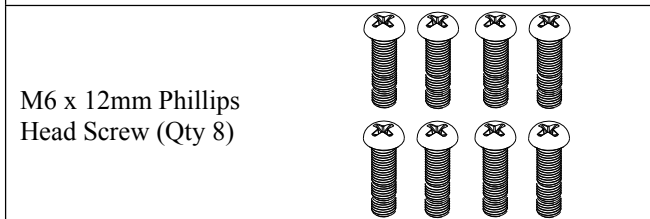
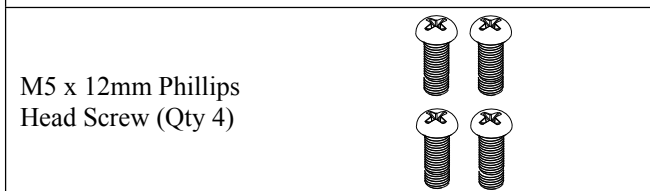
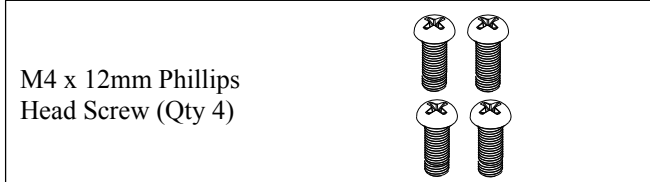
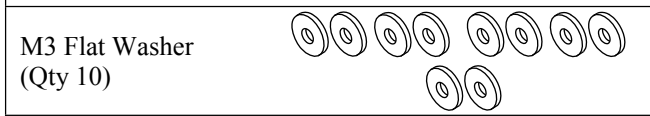
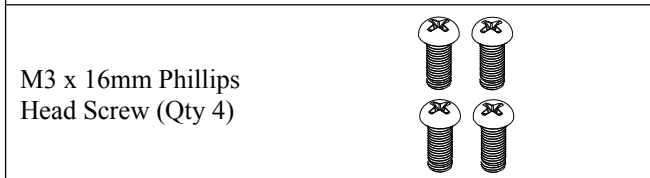
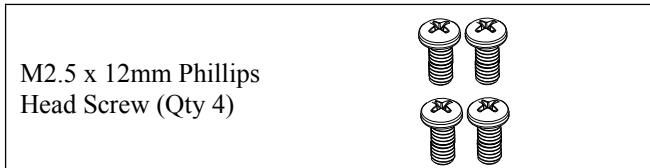
M6 x 12mm Security Screw (Qty 12) - Included in the LOCK-IT™ packet	
M6 x 8mm Security Set Screw (Qty 1)	
M3 Security Allen Wrench (Qty 1)	



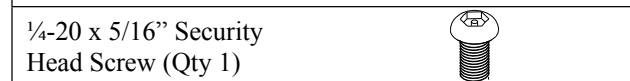
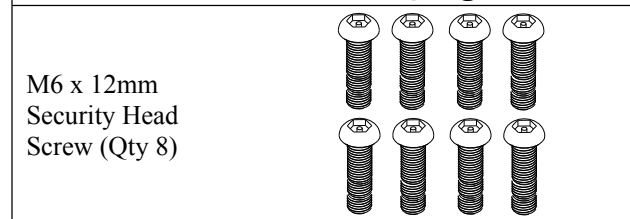
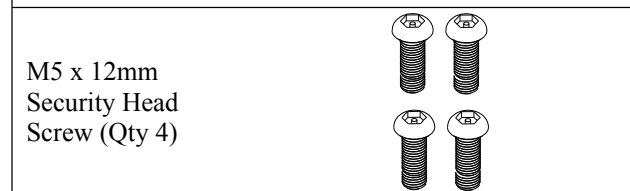
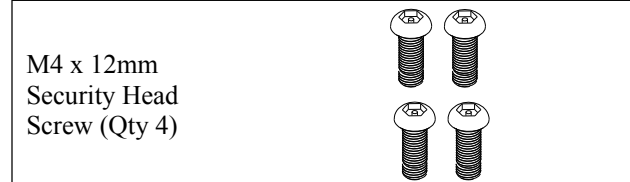
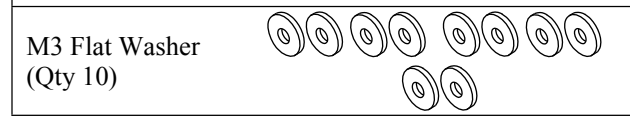
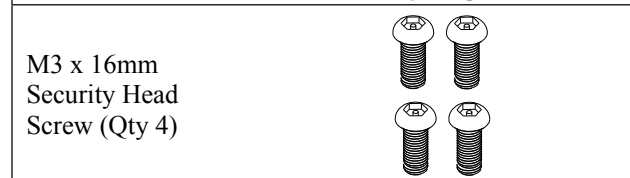
Parts List (cont.)



Standard



Lock-It™ Security

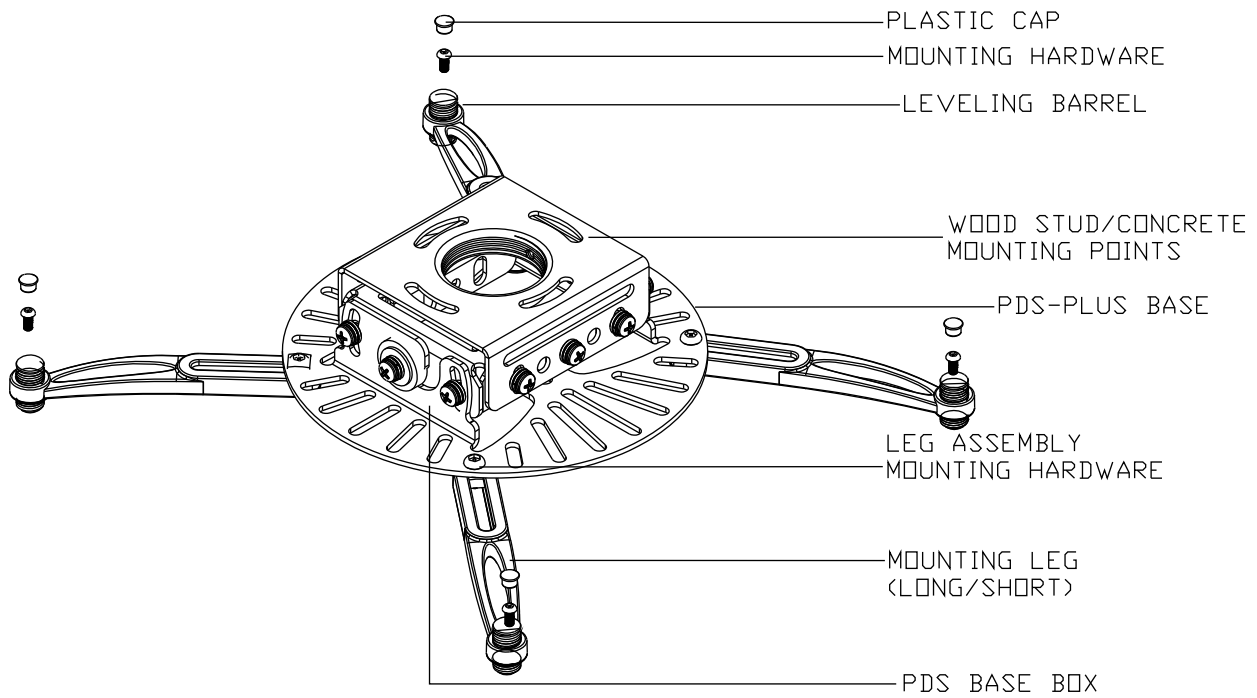




Installation Tools

- Portable Drill
- Pencil
- Ladder
- Phillips Head Screw Driver
- 1/8" Drill Bit (Wood Installation – Commercially Available)
- Masonry Bit (Concrete Installation – Commercially Available)

- Soft Material/ Blanket
- Tape Measure
- M5 Security Allen Wrench (Supplied)
- M3 Security Allen Wrench (Supplied)





Optional Mounting Configurations

This section will contain different configurations, if applicable, that the PDS-PLUS can be used with. The CLS adapter will be used in conjunction with the PP-FCTA and the PP-FCMA. Please refer the Installation Instructions that come packaged with the following products.



PP-FCTA



PP-FCMA



Standard 1-1/2" NPT



AST-2446



APP-2446



AST-1321

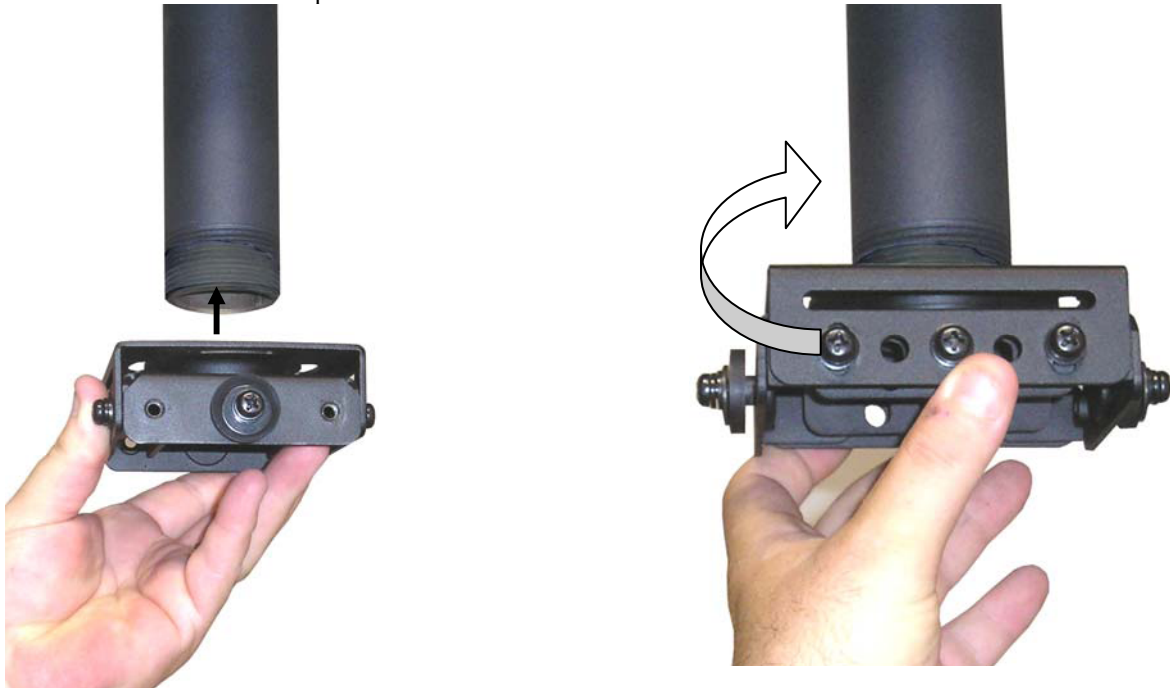


Ceiling Installation – Pipe

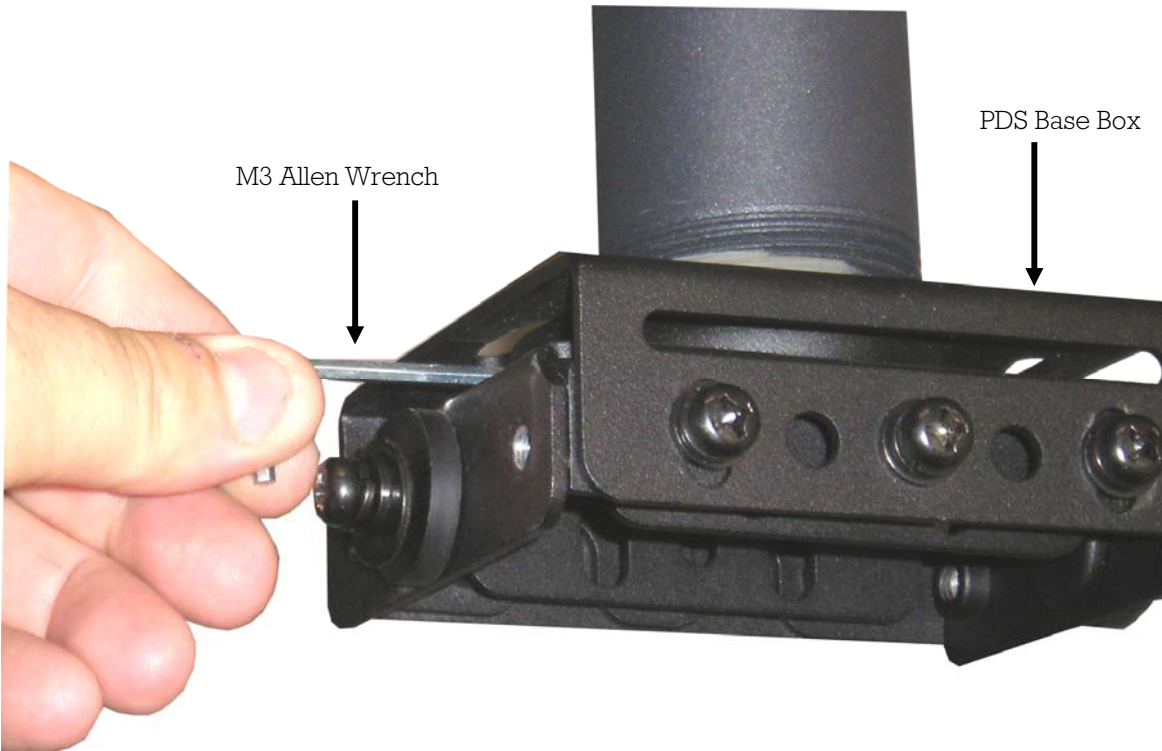
Unpack the PDS-PLUS Mount and familiarize yourself with the components. Please take time before you install the PDS-PLUS to determine the location of where the PDS-PLUS will be mounted.



Note The PDS-PLUS may be attached to 1-1/2” standard threaded pipe (NPT), to one of Premier Mount’s optional ceiling adapters (see page 6), or to a single wood stud (see Page 8). If using an optional adapter, please refer to the installation instructions that come with adapters.



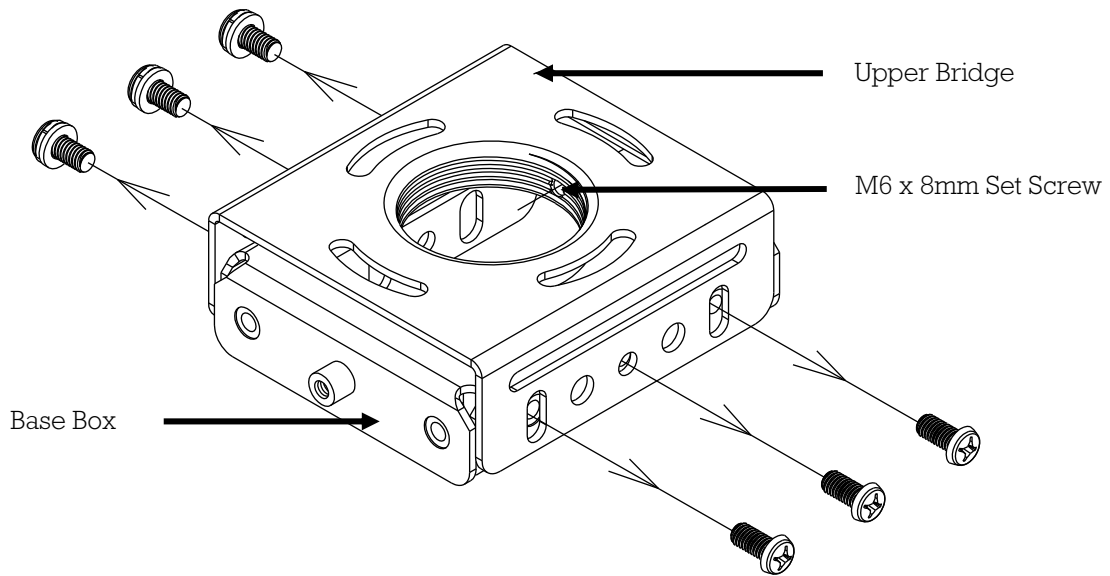
1. After the pipe has been properly secured to the ceiling structure, thread the base box to the lower portion of the pipe.



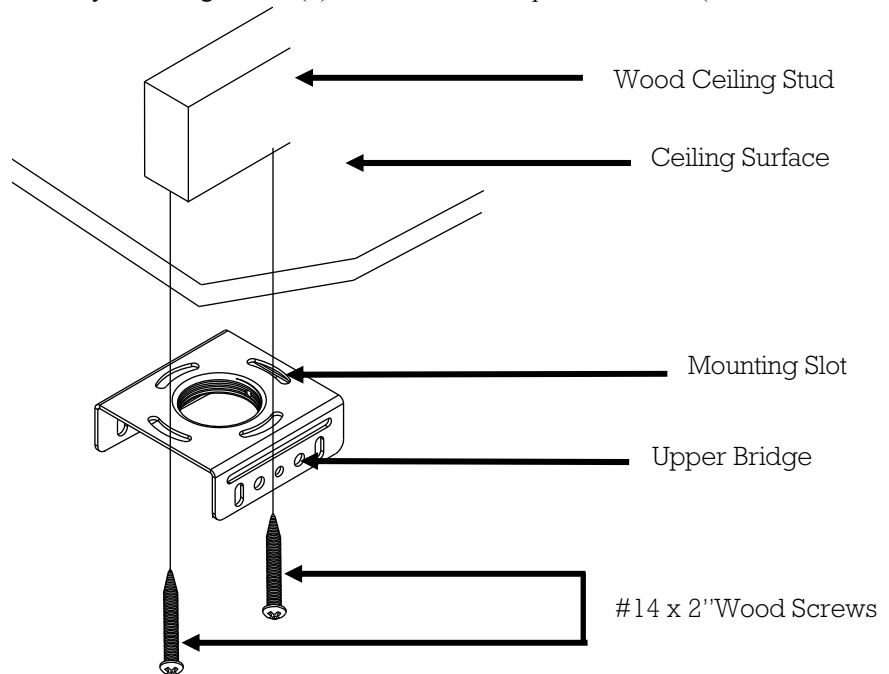
2. Secure the base box to the pipe with the M6 x 8mm set screw and tighten it down using the M3 Allen wrench (supplied).



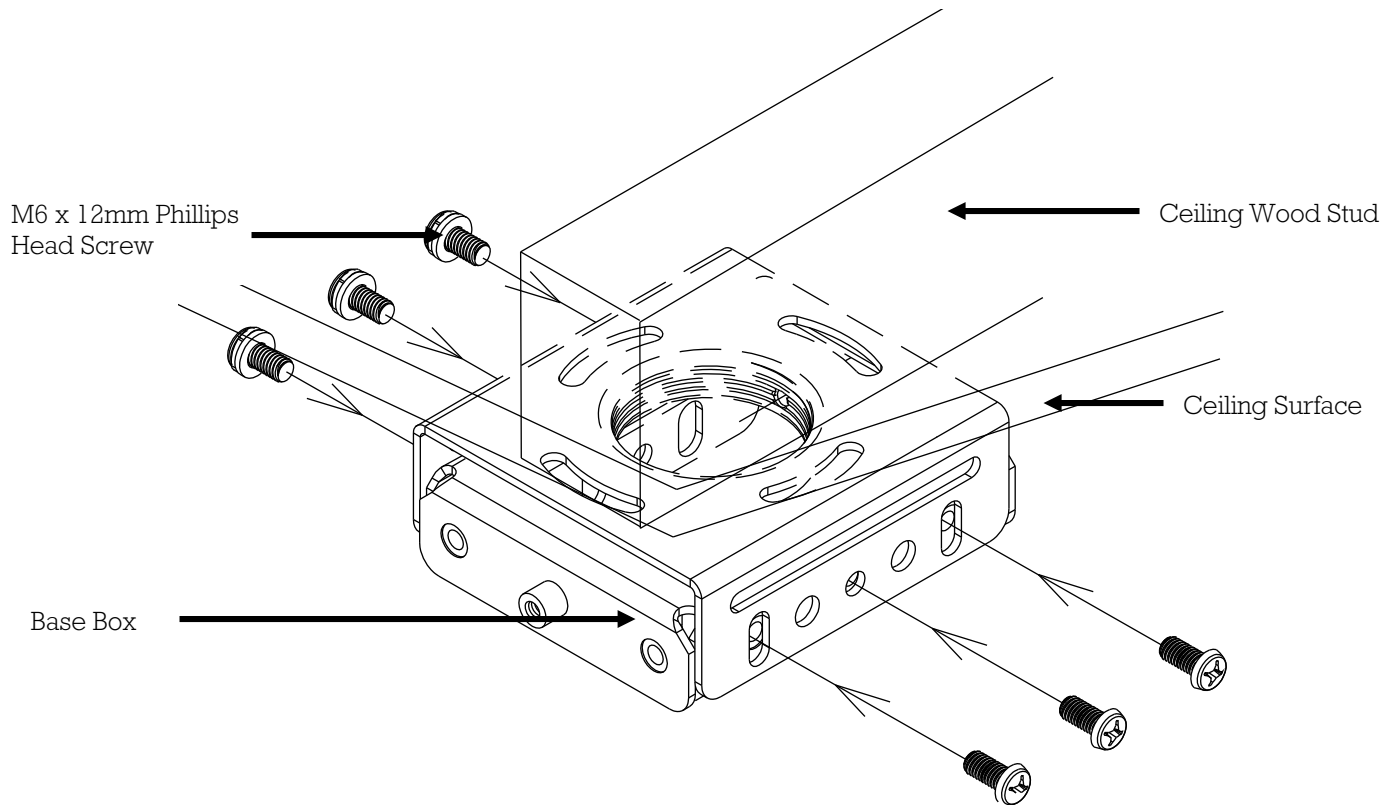
Ceiling Installation – Solid Surface



1. Separate the Upper Bridge from the Base Box by removing the six (6) M6 x 12mm Phillips head screws (three on each side).




2. Use the appropriate slot openings for single wood stud mounting, depending on your ceiling configuration. The adjustable channel slots on the upper bridge plate will allow you to fine tune the final orientation of the projector.
3. Secure the Upper Bridge to the center of the stud on the ceiling structure at this time using two (2) #14 x 2" wood screws (supplied).



4. Attach the base box to the upper bridge and secure with the six (6) M6 x 12mm Phillips Head screws (above). **DO NOT OVERTIGHTEN THESE SCREWS AT THIS TIME.**


Concrete Mounting

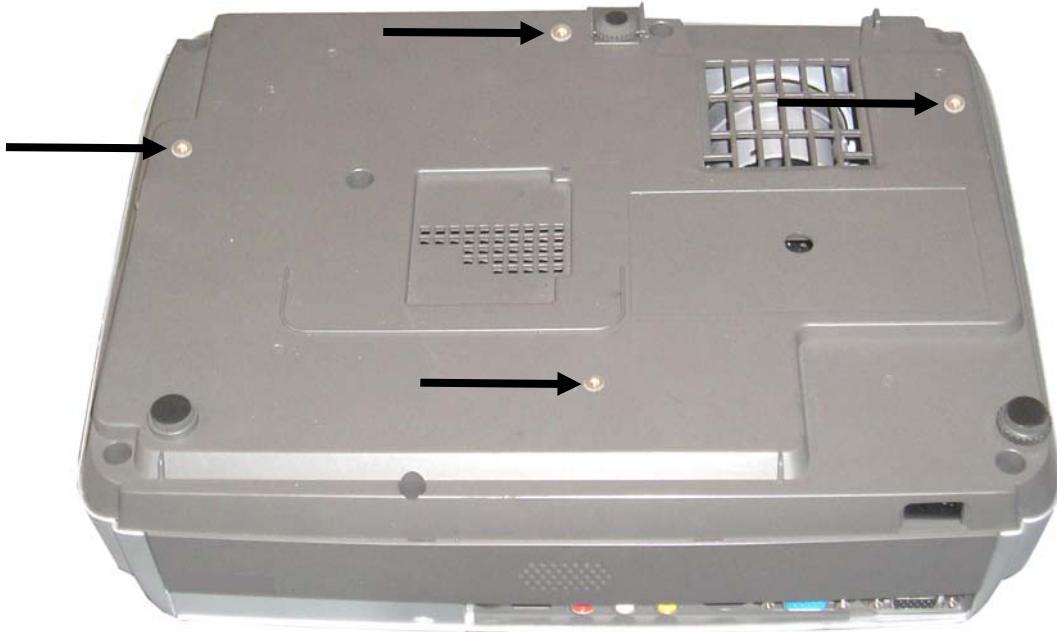
 **Note** The PDS-PLUS can be mounted to a ceiling with a minimum 6” thickness. Concrete wedge anchors must be used for concrete installation. It is recommended that ¼” wedge anchors be used. A masonry bit must be used to drill the pilot hole. These can be purchased at your local hardware store.


1. Begin by placing the upper bridge into position against the ceiling, keeping it level.
2. Mark off four holes to be used for securing the mount and place the upper bridge aside.
3. Next, drill holes using the appropriate masonry bit for your anchor.
4. Insert a concrete anchor into each hole.
5. If necessary, a hammer can be used to lightly tap each anchor into place so that they are flush with the ceiling.
6. Once all of the anchors are in place, move the upper bridge back into position.
7. Attach the nut onto the threaded shaft that is protruding from the ceiling.
8. Do not tighten until all nuts are in place.



Attaching the PDS-PLUS to the Projector

 **Note** To truly show the versatility of the PDS-PLUS, the following pictures will show a variety of configurations that can be achieved with the PDS-PLUS. Your individual application will depend on the purchased projector.




 **Note** To truly show the versatility of the ELE-UPROJB, the following pictures will show a variety of configurations that can be achieved with the ELE-UPROJB. Your individual application will depend on the purchased projector.

1. Locate the mounting points on the bottom of the projector (see arrows above for sample mounting points).

Selecting the Proper Mounting Hardware

1. Turn the projector over and locate the mounting points.
2. Test each size of the screws provided.
3. The correct screws should thread easily into the mounting point and not pull out when pressure is applied.

 **WARNING** DO NOT OVERTIGHTEN YOUR MOUNTING SCREWS TO THE PROJECTOR CHASSIS. USING THE INCORRECT SCREW DEPTH MAY CAUSE DAMAGE TO YOUR PROJECTOR.

 **Note** The optional M3 flat washers may be used to decrease the screw depth of either the M2.5 x 12mm screws or the M3 x 16mm screws. Place a M3 flat washer inside the leveling barrel and then insert the mounting screw. DO NOT OVERTIGHTEN THIS SCREW.

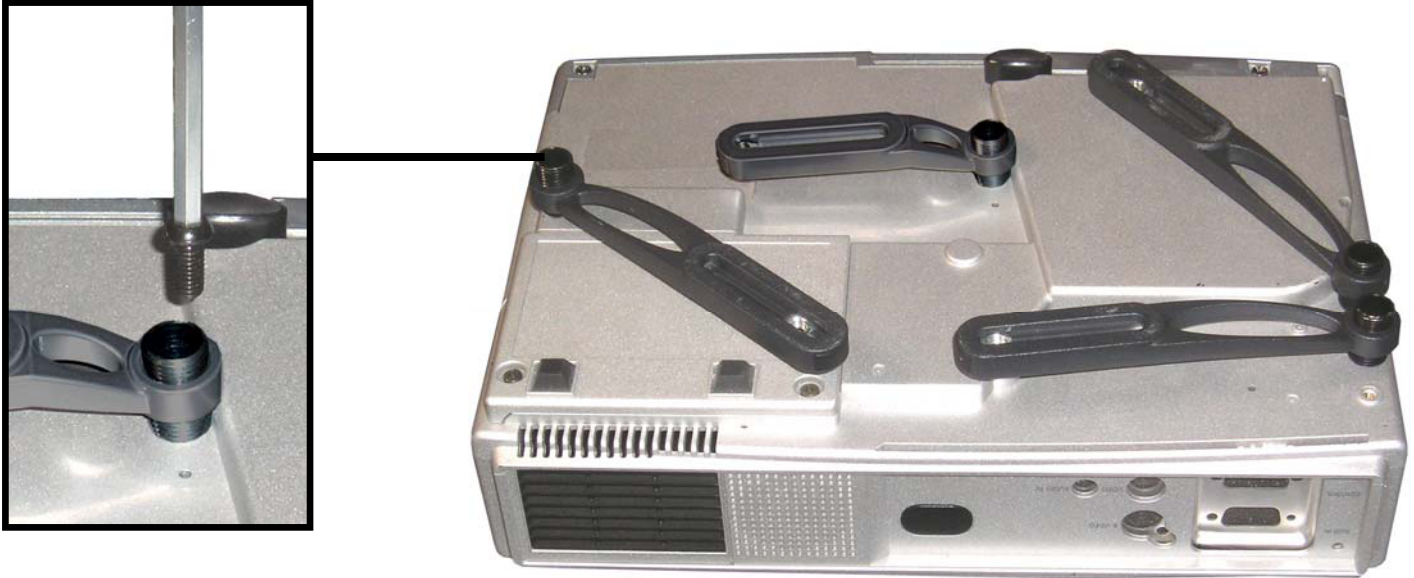
Lock-It™ Security Hardware Pack (Optional)

The PDS-PLUS comes with the option of using Lock-It™ Security Screws. To use the security screws, simply replace the M6 x 12mm Phillips Pan head screws with the M6 x 12mm security screws. Once the hardware has been changed, adjust the PDS-PLUS and tighten down the M6 x 12mm security screws using the M5 Security Allen wrench (supplied).

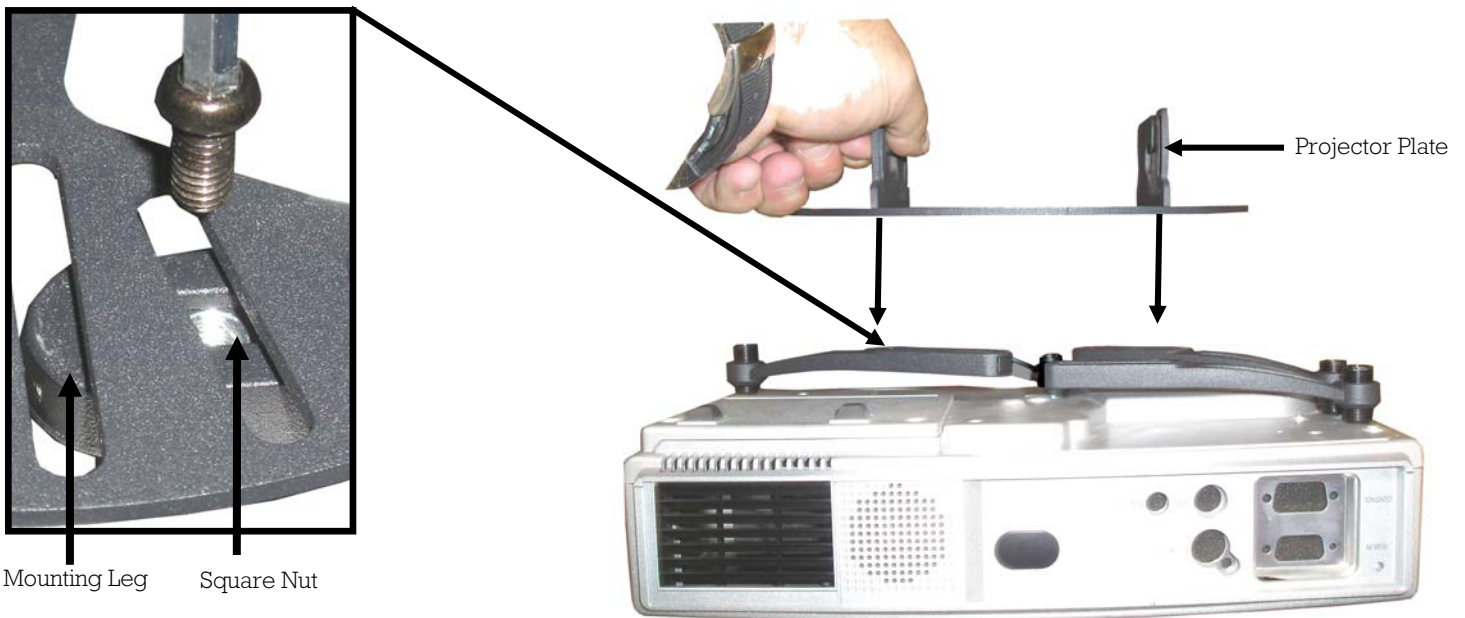


WARNING Only attach to the projector manufacturer's specified mounting points on the projector chassis with a minimum of three mounting legs. Please follow all safety instructions specified by the projector manufacturer as well as the safety instructions outlined in this manual.

Note Depending on your application, the long mounting legs and the short mounting legs may be used together. There are multiple configurations that may be used combining the long mounting legs with the short mounting legs.



2. Attach the appropriate number of mounting legs to the projector using the corresponding mounting hardware (see Page 10, Selecting the Proper Mounting Hardware).
3. If the mounting legs need to be leveled, rotate the leveling barrels to level the mounting bracket.
4. To raise the mounting legs, rotate the leveling barrel clock-wise. To lower the mounting leg, rotate the leveling barrel counter clock-wise.
5. When the desired position is achieved, tighten the mounting screws to the projector and then tighten the hex head leg screws with the M5 Allen wrench.

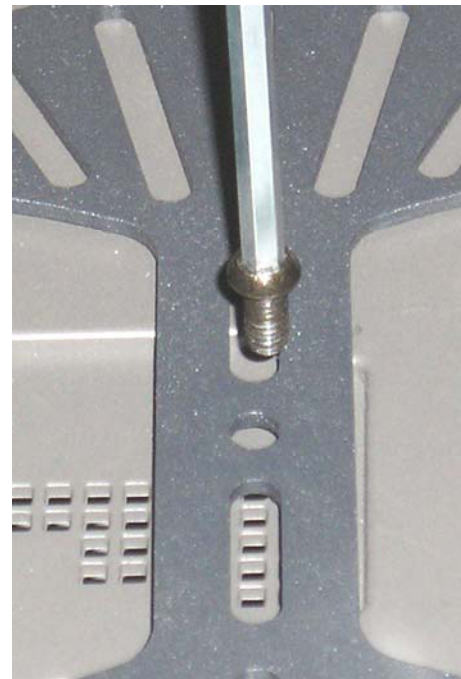


6. Position the legs accordingly for best configuration. You may raise or lower each leg independently by turning the leveling barrels.
7. Secure the legs to the projector plate by screwing M6 x 12mm security screws into the M6 square nut (do not overtighten) on the mounting legs.



Single Mounting Point Installation


Mounting Point



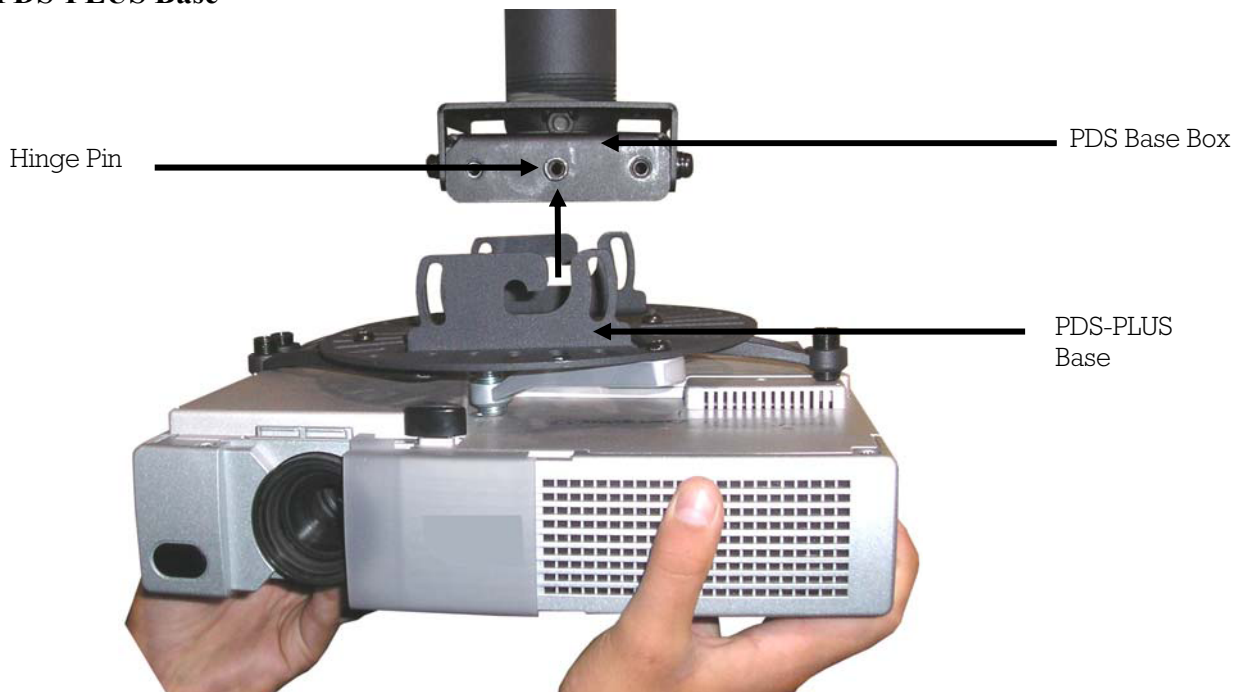
If your projector has only one mounting point, a 1/4-20 x 5/16" screw must be used to attach the mount to the projector. Please refer to the following three steps:

1. Determine where the mounting point is located.

2. Place the projector plate over the mounting point.
3. Insert the 1/4-20 x 5/16" security screw.

 **Note** This screw will use a standard hole when mounting.

Attaching the PDS-PLUS Base



1. Raise the projector (with the mounting bracket attached) and hook the projector bracket over the hinge pins.



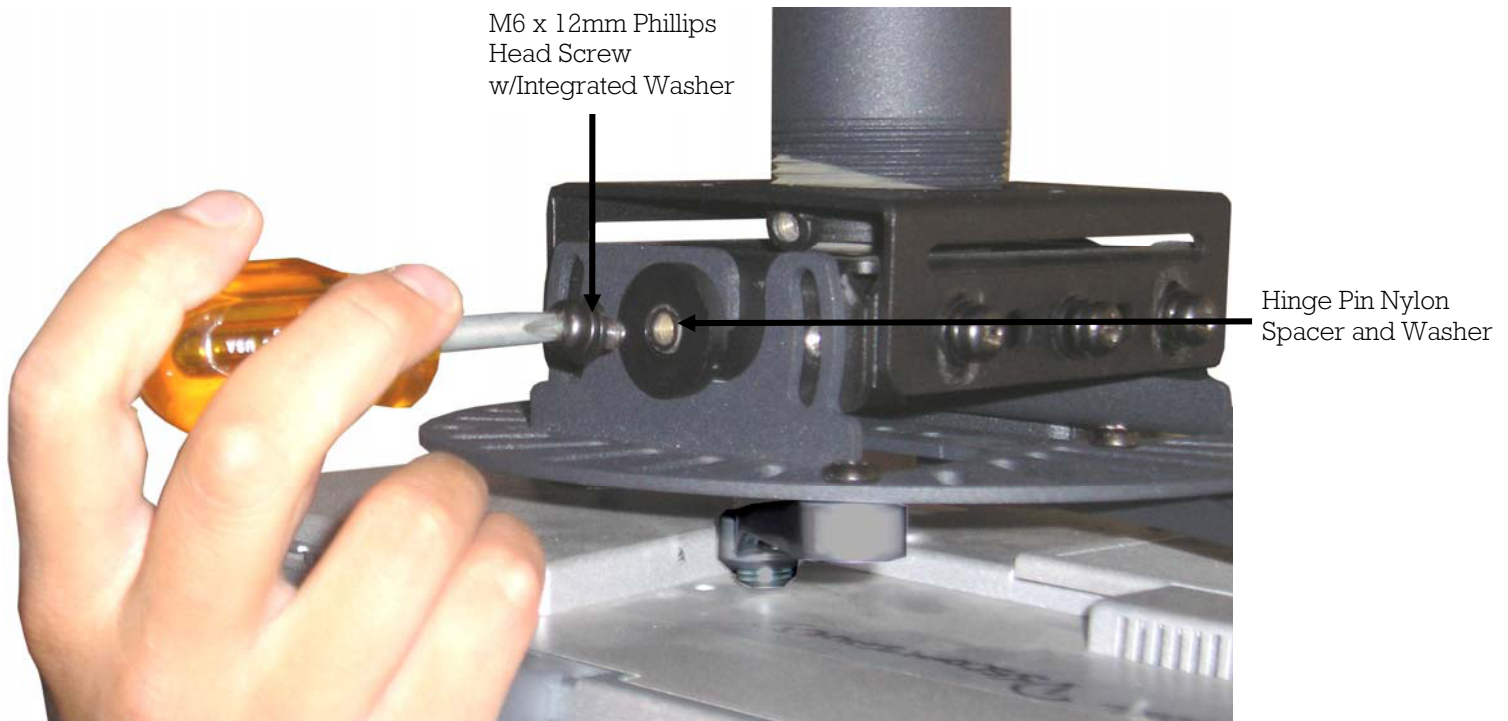
2. Slide the projector forward (see arrow above).




3. Make sure the bracket is resting on the Base Box before letting go of the projector.

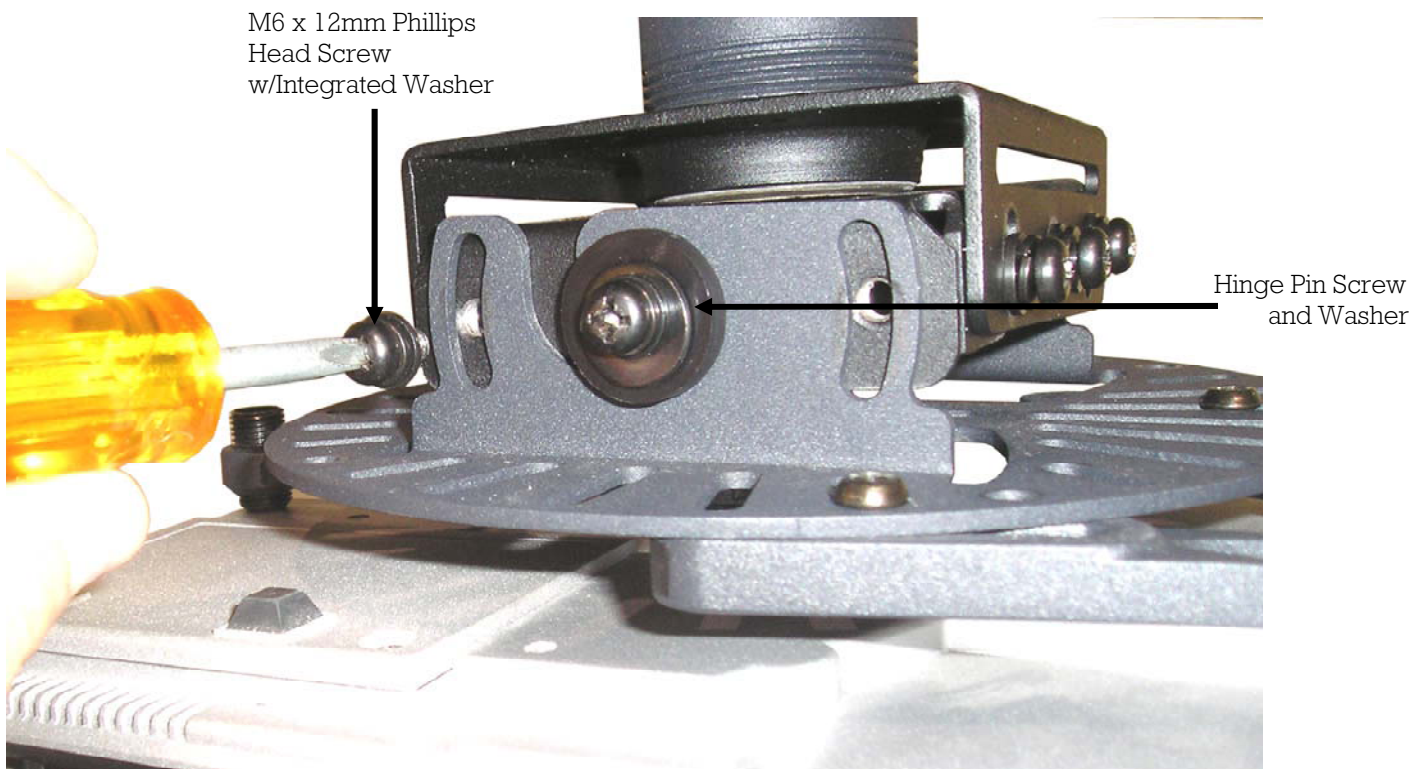


4. Place the nylon spacer over the hinge pin.



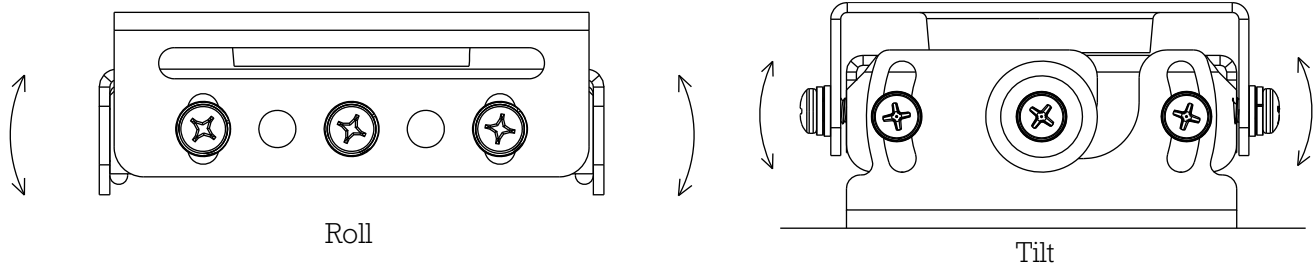
5. Secure the PDS-PLUS to the PDS Base Box with two (2) M6 x 12mm Phillips Head screws w/Integrated Washers (one on each side).

 **Note** If using the optional Lock-It™ Security Hardware Pack, secure the PDS-PLUS to the PDS Base Box with two (2) M6 x 12mm Security Head screws and two (2) flat washers (one on each side).



6. Once the mount is safely attached, insert and tighten the four (4) M6 x 12mm Phillips Head Screw w/ Integrated Washers.
7. Make all final adjustments at this time.

Base Box Adjustment



1. You can adjust the roll of the projector by loosening the three (3) front and rear M6 x 12mm screws.



Caution Do not fully loosen the screws, as the mount may drop.

2. Set the desired roll and then tighten the screws. First tighten the center screws and work your way to the outside screws, making any final adjustments prior to tightening the last two screws.
3. You can adjust the tilt of the projector by loosening the two (2) M6 x 12mm screws on each side of the Base Box.
4. Set the desired tilt and then tighten the screws, making any final adjustments prior to tightening the last two screws.



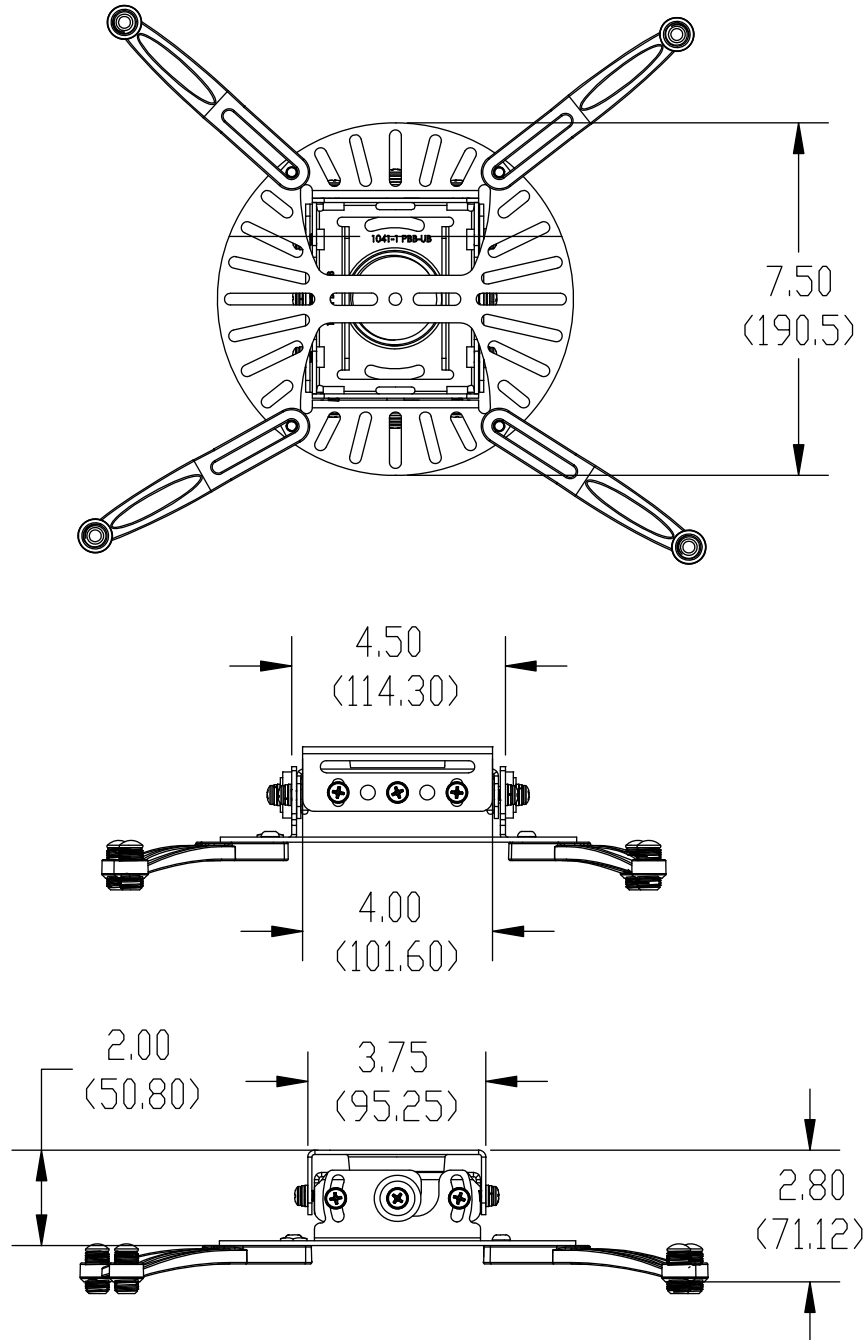
Note If your projector is not holding the tilt, install the four (4) internal/external tooth lock washers on the four (4) M6 x 12mm Phillips head screws w/ Integrated Washers.

5. Once all adjustments have been made, tighten all hardware.



Technical Specifications

All measurements are inches (mm).





Warranty

PREMIER MOUNTS LIMITED LIFETIME WARRANTY

What and Who is Covered by this Limited Warranty and for How Long

Premier Mounts warrants this product to be free from defects in material and workmanship for the lifetime of the original owner of this product. The limited warranty is valid only for the original purchaser of the product.

What Premier Mounts Will Do

At the sole option of Premier Mounts, Premier Mounts will repair or replace any product or product part that is defective. If Premier Mounts chooses to replace a defective product or part, a replacement product or part will be shipped to you at no charge, but you must pay any labor costs.

What is Not Covered; Limitations

PREMIER MOUNTS DISCLAIMS ANY LIABILITY FOR DAMAGE TO MOUNTS, ADAPTERS, DISPLAYS, PROJECTORS, OTHER PROPERTY, OR PERSONAL INJURY RESULTING, IN WHOLE OR IN PART, FROM IMPROPER INSTALLATION, MODIFICATION, USE OR MISUSE OF ITS PRODUCTS.

PREMIER MOUNTS DISCLAIMS ALL OTHER WARRANTIES, EXPRESS OR IMPLIED, INCLUDING WARRANTIES OF MERCHANTABILITY AND FITNESS FOR A PARTICULAR PURPOSE. PREMIER MOUNTS IS NOT RESPONSIBLE FOR INCIDENTAL OR CONSEQUENTIAL DAMAGES, INCLUDING BUT NOT LIMITED TO, INABILITY TO USE ITS PRODUCTS OR LABOR COSTS FOR REMOVING AND REPLACING DEFECTIVE PRODUCTS OR PARTS. SOME STATES DO NOT ALLOW THE EXCLUSION OR LIMITATION OF INCIDENTAL OR CONSEQUENTIAL DAMAGES, SO THE ABOVE LIMITATION OR EXCLUSION MAY NOT APPLY TO YOU.

What Customers Must Do for Limited Warranty Service

If you discover a problem that you think may be covered by the warranty you **MUST REPORT** it in writing to the address below within thirty (30) days. Proof of purchase (an original sales receipt) from the original consumer purchaser must accompany all warranty claims. Warranty claims must also include a description of the problem, the purchaser's name, address, and telephone number. General inquiries can be addressed to Premier Mounts Customer Service at 1-800-368-9700. Warranty claims will not be accepted over the phone or by fax.

Premier Mounts
Attn: Warranty Claim
3130 E. Miraloma Avenue
Anaheim, CA 92806

How State Law Applies

This warranty gives you specific legal rights, and you may also have other rights which vary from state to state.